

Kathrein offers the most comprehensive UHF RFID antenna portfolio. For applications in the read range up to 12 m, the WideRange 70° PRO antenna is available for such application.

The WideRange 70° PRO antenna is characterised by a high antenna gain and at the same time very low axial ratio for circular polarization, for optimum reading of transponders in all orientations, even at great distances.

The antenna is ideal for gate and portal applications, but also for vehicle detection. It is the universal antenna for almost all requirements.



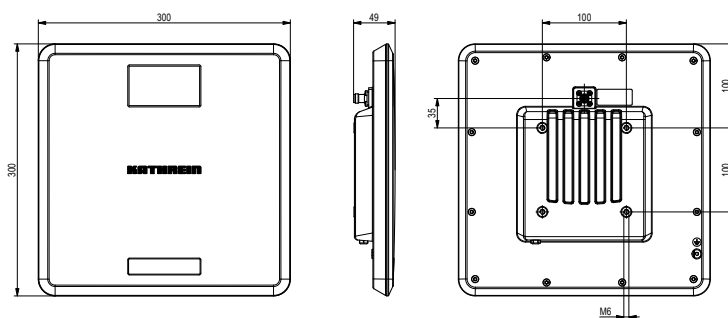
> Features

- Ideal for fare-field applications up to 12m
- Very homogenous reading field
- Optimal axial ratio
- High IP67 degree of protection
- Suitable for outdoor use
- Available for Europe, US and RoW

> Key Applications

- Manufacturing and Automotive
- Logistics
- Intelligent Transportation Systems
- Healthcare

> Dimensions [mm]



> Note

Risk of material damage!

- ▶ Please ensure that the underlying surface is clean, load-bearing and free of conductors.
- ▶ To mount the antenna, please use the four M6 screws to fix mounting kit.

> General Specifications

Type	ETSI Version WideRange 70° PRO Antenna		FCC Version WideRange 70° PRO Antenna
Order number	52010333		52010334
RFID			
Frequency range	[MHz]	865–868	902–928
Impedance antenna port	[Ohm]	50	
Polarization, circular		RHCP*	
Antenna gain	[dBiC]	typ. 8.5	
Axial ratio	[dB]	typ. 1	
Far field half-power beam width	[°]	65/65	
Front-to-back ratio	[dB]	>18	
Max. input power (at antenna port)	[dBm]		+30 (FCC 15.247)
Max. radiated power	[dBm]	+33 ERP (ETSI EN 302 208)	+36 EIRP (FCC 15.247)
Max read range	[m]	12	
VSWR		typ. 1.2:1	typ. 1.2:1
Mechanic properties			
Connection		TNC female	
Weight	[kg]	1.7	
Degree of protection	[W]	IP67	
Operating temperature range	[°C]	-40 to +70	
Storage temperature range	[°C]	-40 to +85	
Dimensions (L x W x H)	[mm]	300 x 300 x 48	
Packing size (L x W x H)	[mm]	350 x 350 x 80	
Antenna cover		weather-resistant polymer blend, colour: RAL7035	
Chassis		aluminium, powder coated	

*) right-handed circular polarisation

***) left-handed circular polarisation

> Mounting options

The WideRange 70° PRO antenna offers two mounting options. It can be mounted with the wall mount kit 52010351 or directly into a shelf with the shelf mount kit 52010479

